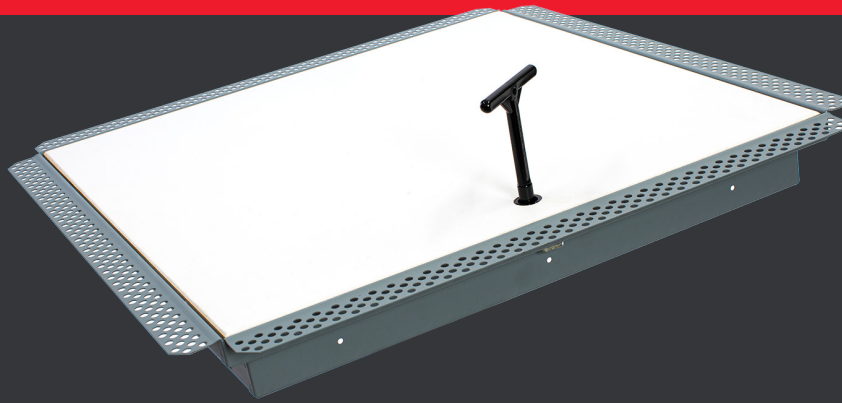


# ACOUSTIC STC35 HATCHES

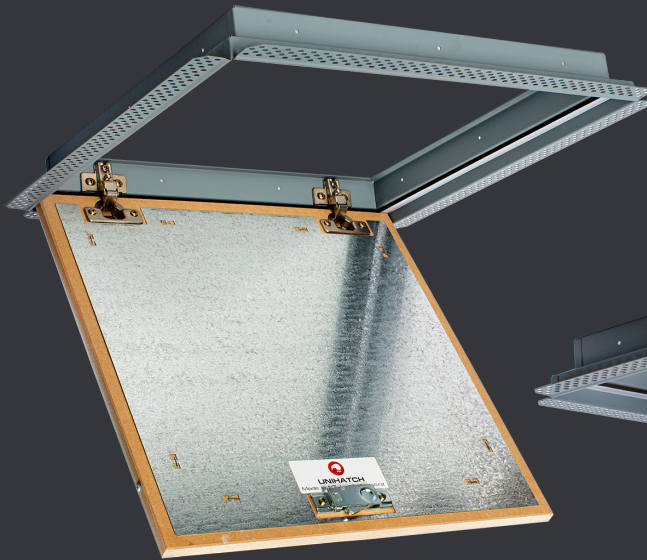


Unihatch acoustic hatches are independently tested to ISO 15186-part 1.  
Composite sound transmission class (STC) calculated to ASTM E413-16.

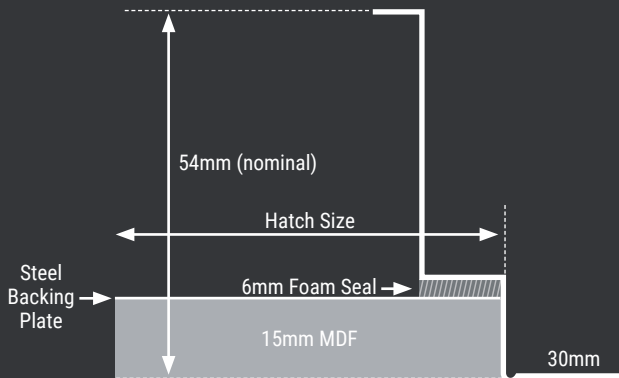
When installed in a wall/ceiling with an STC of 35, the presence of the hatch will maintain the STC 35 of the wall/ceiling.  
Report # 2022-254 from Canterbury Acoustic Testing Services available on request.

## FEATURES:

Steel Frame | 15mm MDF Door c/w Steel Backing Plate | Acoustic Seals | Concealed Hinges | Budget Lock



## ACOUSTIC ACCESS PANEL PROFILE



Cut Out Size +5-10mm

## ACOUSTIC STC35 SET BEAD ACCESS PANEL

450 x 450mm

## CODE

UH450-STC35SB

530 x 530mm

UH530-STC35SB



**UNIHATCH**

+64 21 866 672 | unihatch.co.nz

## UNIHATCH CUSTOM HATCHES

Unihatch specialise in custom size access panels manufactured to application request. Smoke Seals, Acoustic, Fire Rated and tile Hatches available.

Different lock options available: Keyed Alike | Budget Lock | Snap Lock